

# Threaded Plug III

## Technical Data

Art. No. C/D/E/F51000  
 C=M27, D=M30, E=C35, F=M36

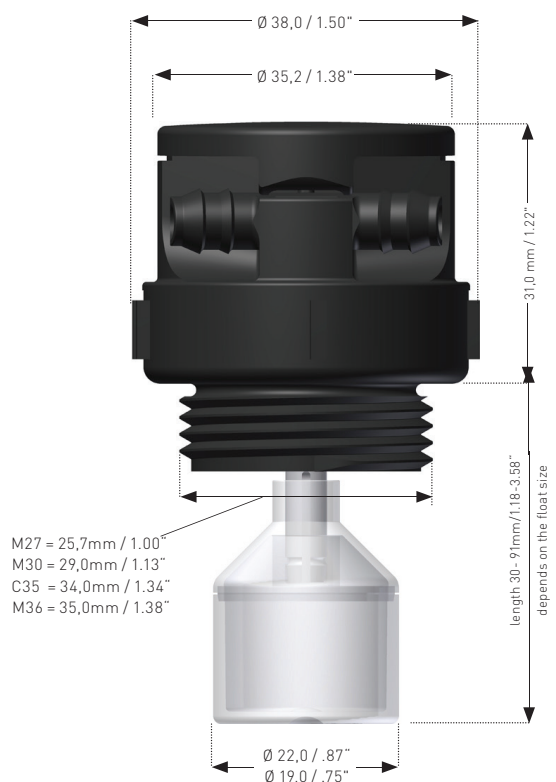
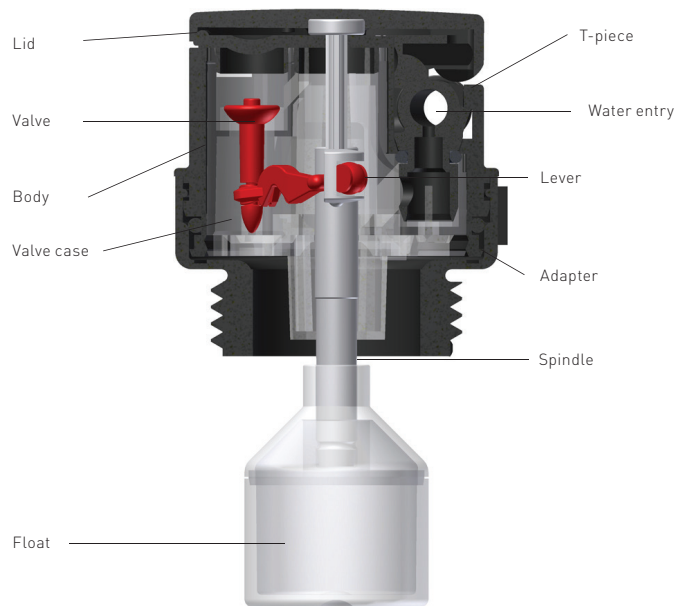
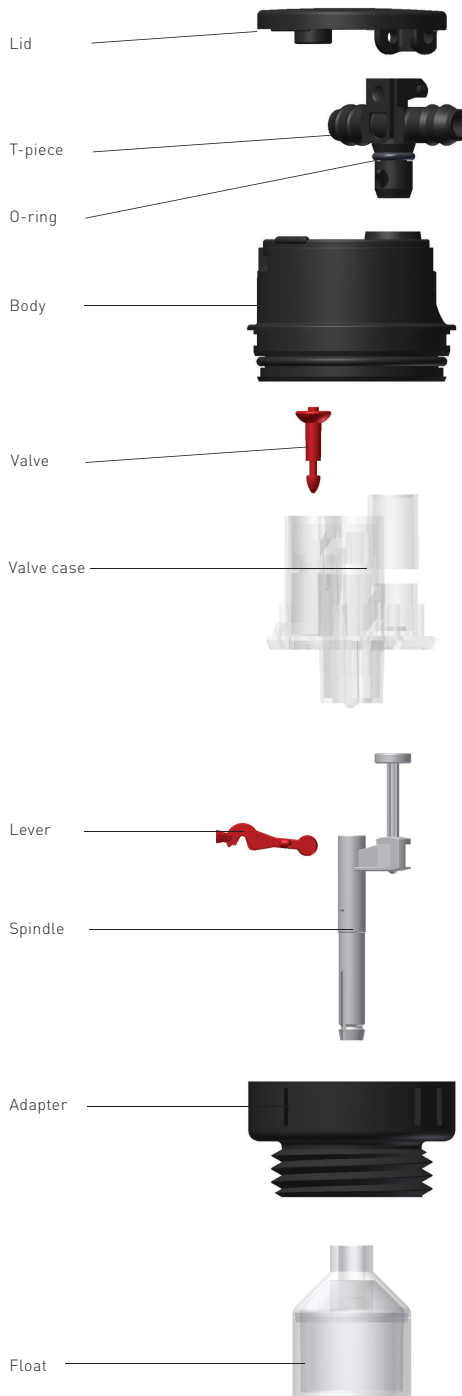


### Technical data

Float stroke	4,0mm / .157"
Valve stroke	1,6mm / .063"
Leverage	2,4 : 1
Filling pressure	min. 0,2 bar/2.9 psi   max. 3,8 bar/55 psi

### Flow rate with 6 plugs in series at pressure

0,3 bar / 4.4 psi	1640 ml/min
0,4 bar / 5.8 psi	2030 ml/min
0,5 bar / 7.3 psi	2420 ml/min
1,0 bar / 14.5 psi	3600 ml/min



All parts are assembled by means snap-in, no glue, no heat seal. All parts can be recycled at end of life cycle.