

Clip-in Plug IV with Float Housing

Technical Data Art. No. I4N260/330/420

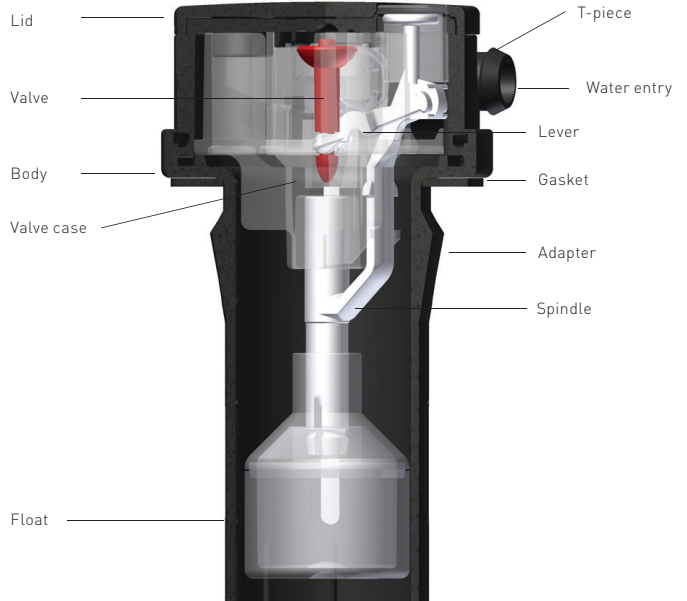
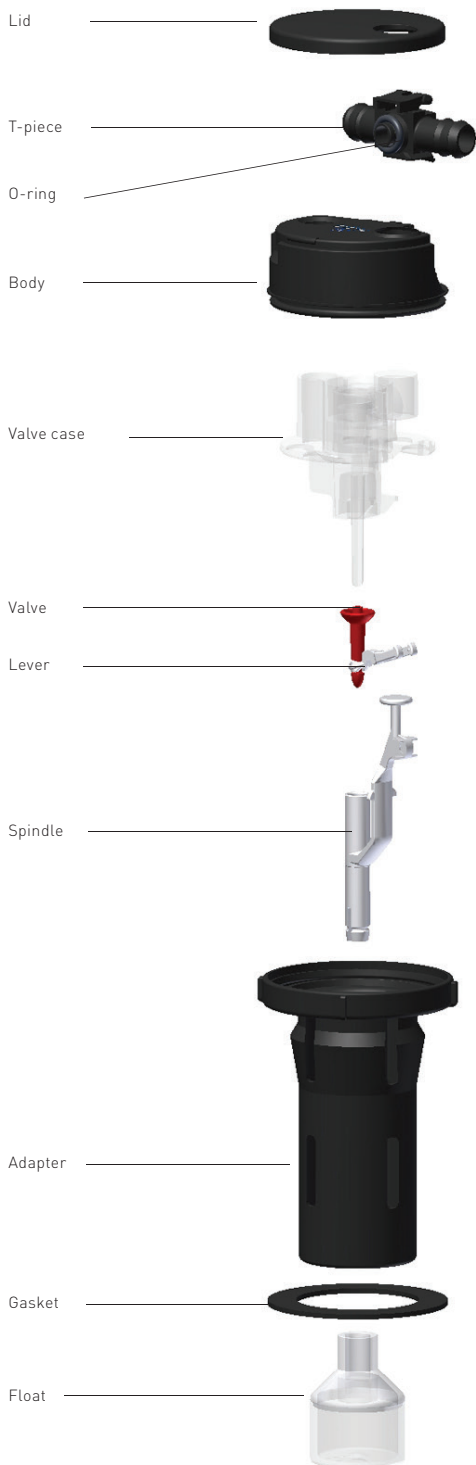


Technical data

Float stroke	4,0 mm / .157"
Valve stroke	1,6 mm / .063"
Leverage	2,4 : 1
Filling pressure	min. 0,2 bar / 2.9 psi max. 3,8 bar / 55 psi

Flow rate with 6 plugs in series at pressure

0,3 bar / 4.4 psi	2050 ml/min
0,4 bar / 5.8 psi	2540 ml/min
0,5 bar / 7.3 psi	3150 ml/min
1,0 bar / 14.5 psi	5080 ml/min



All parts are assembled by means snap-in, no glue, no heat seal. All parts can be recycled at end of life cycle.