

Bayonet Plug III

Technical Data

Art. No. B51000

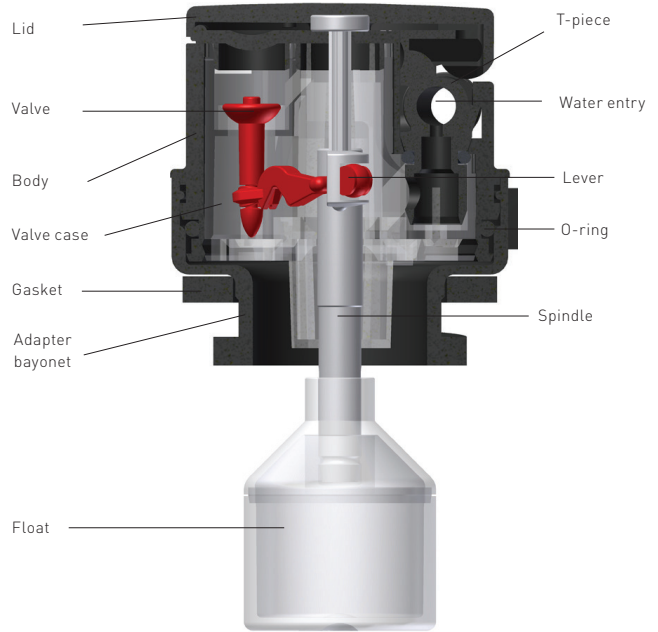
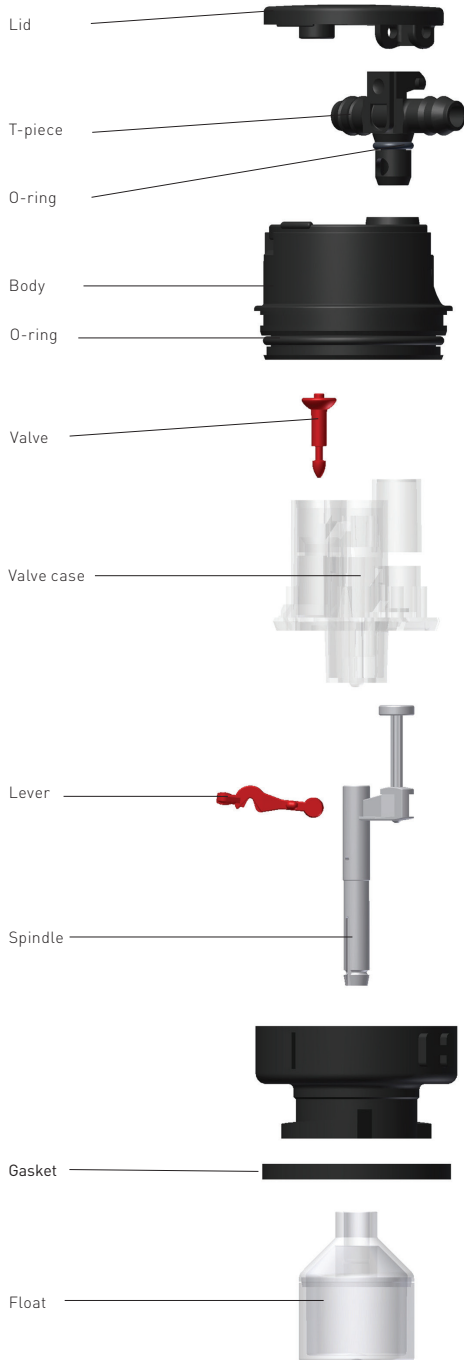


Technical data

| | |
|------------------|--|
| Float stroke | 4,0 mm / .157" |
| Valve stroke | 1,6 mm / .063" |
| Leverage | 2,4 : 1 |
| Filling pressure | min. 0,2 bar / 2.9 psi max. 3,8 bar / 55 psi |

Flow rate with 6 plugs in series at pressure

| | |
|--------------------|-------------|
| 0,3 bar / 4.4 psi | 1640 ml/min |
| 0,4 bar / 5.8 psi | 2030 ml/min |
| 0,5 bar / 7.3 psi | 2420 ml/min |
| 1,0 bar / 14.5 psi | 3600 ml/min |



All parts are assembled by means snap-in, no glue, no heat seal. All parts can be recycled at end of life cycle.