

Push-in Plug IV

Technical Data

Technical data

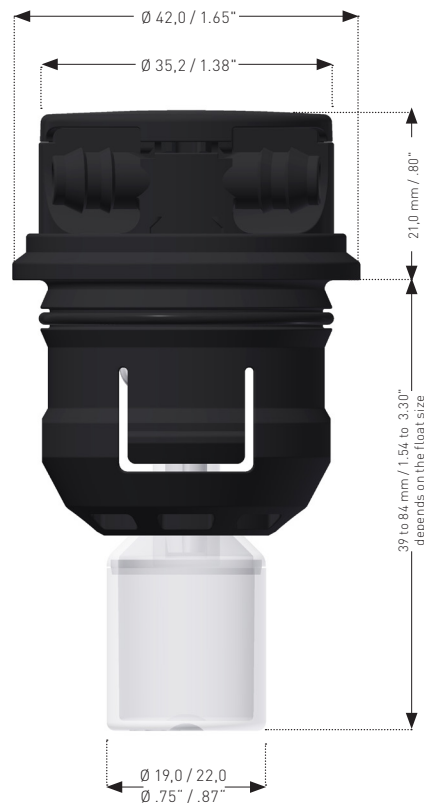
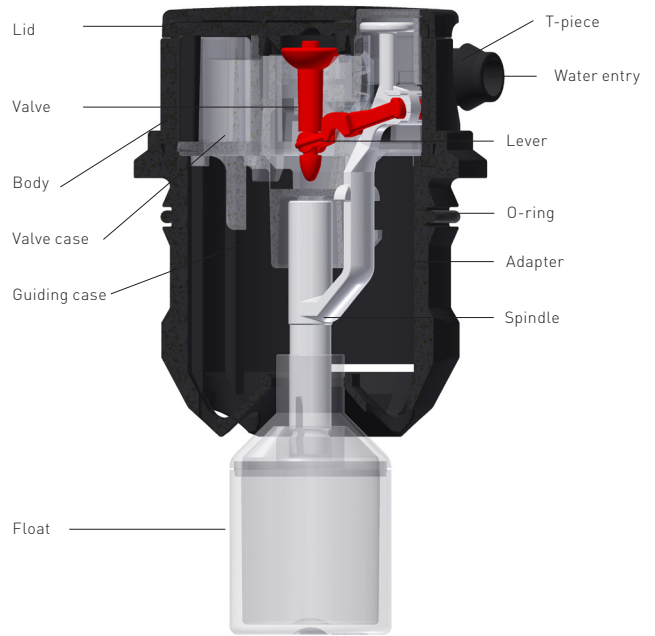
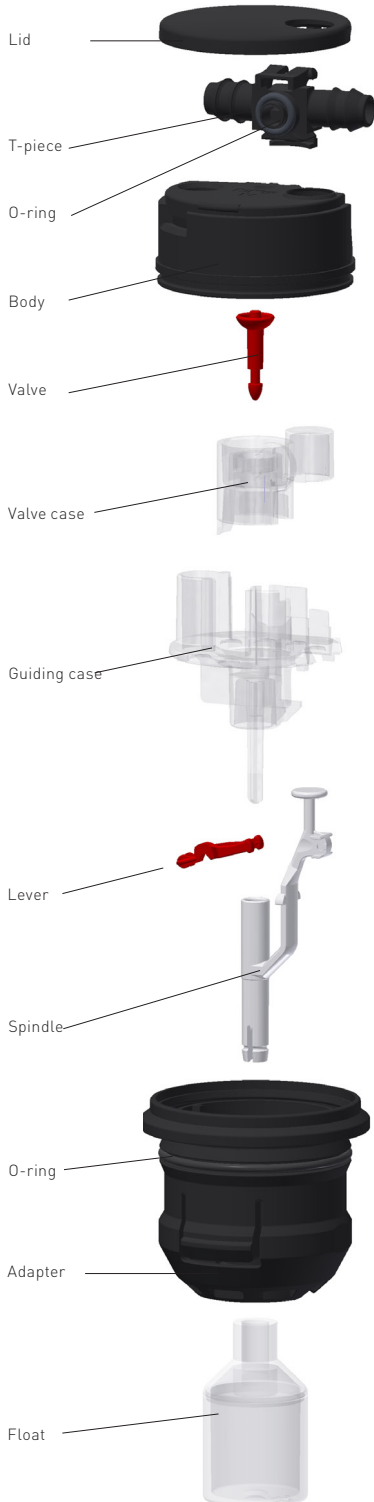
| | |
|---------------|--|
| Float action | 4,0 mm / .160" |
| Valve action | 1,6 mm / .063" |
| Increment | 2,4 : 1 |
| Fill pressure | min. 0,2 bar / 2.9 psi max. 3,8 bar / 55 psi |

Art. no. A4N000



Water volume (dynamic) with 6 plugs in series

| | |
|--------------------|---|
| 0,3 bar / 4.3 psi | 4.33 pt (2050 cm ³) per minute |
| 0,4 bar / 5.8 psi | 5.37 pt (2540 cm ³) per minute |
| 0,5 bar / 7.2 psi | 6.66 pt (3150 cm ³) per minute |
| 1,0 bar / 14.5 psi | 10.74 pt (5080 cm ³) per minute |



All parts are assembled by means snap-in, no glue, no heat seal. All parts can be recycled at end of life cycle.