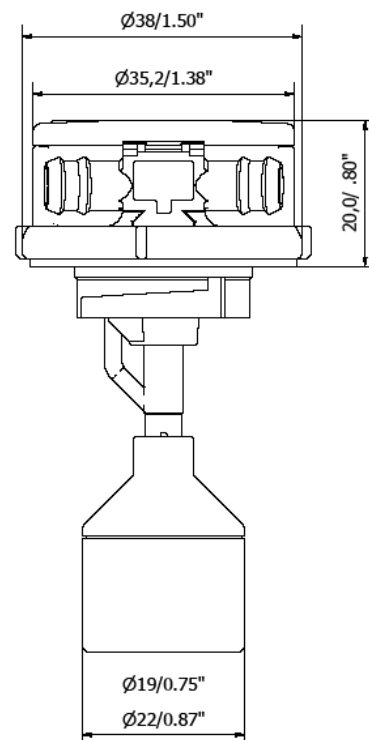
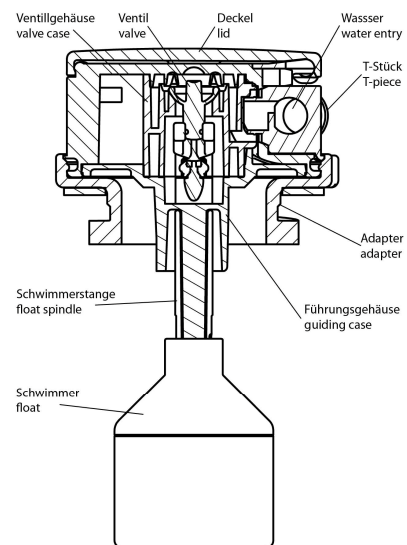
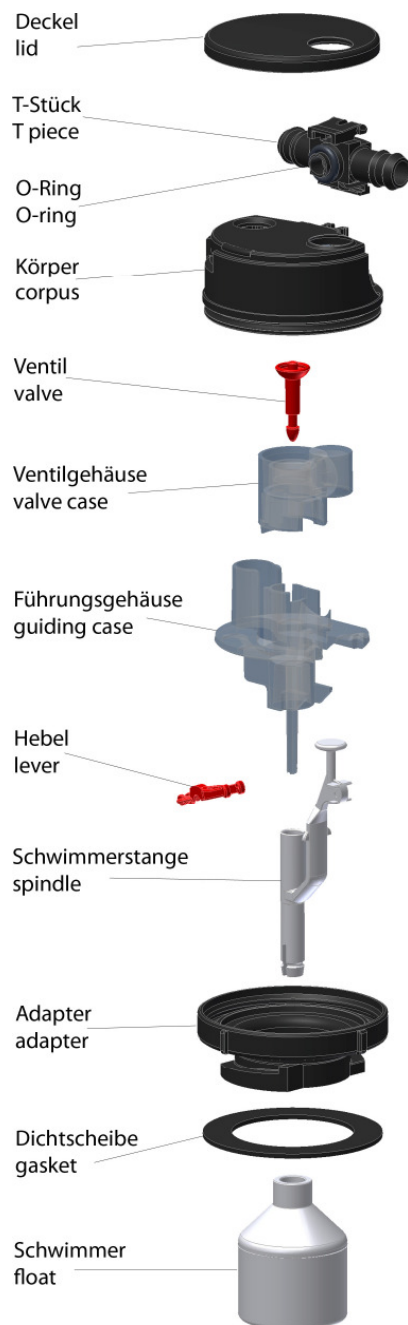


# Technical Data

## bfs plug IV:

Float action  
 Valve action  
 Increment  
 Fill pressure

4,0 mm  
 1,6 mm  
 2,4 : 1  
 min 3,0 psi  
 max 53 psi



All parts are assembled by means snap-in, no glue, no heat seal.  
 All parts can be recycled at end of life cycle.