

# Technical Data



## bfs plug III:

Float action	4,0 mm
Valve action	1,6 mm
Increment	2,4 : 1
Fill pressure	min 3,0 psi
	max 53 psi

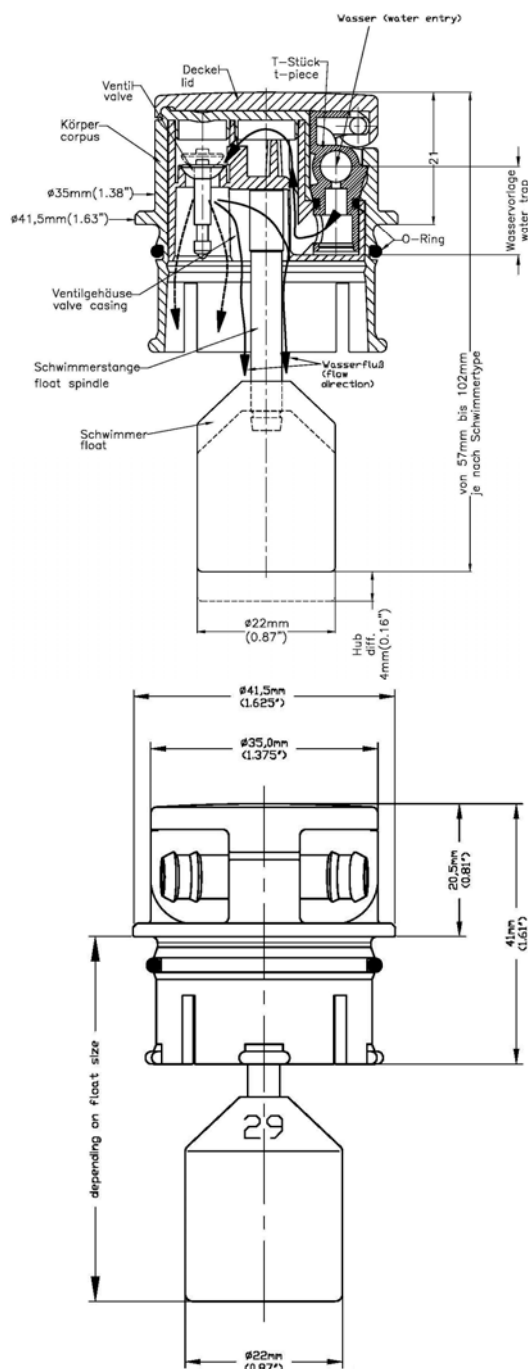
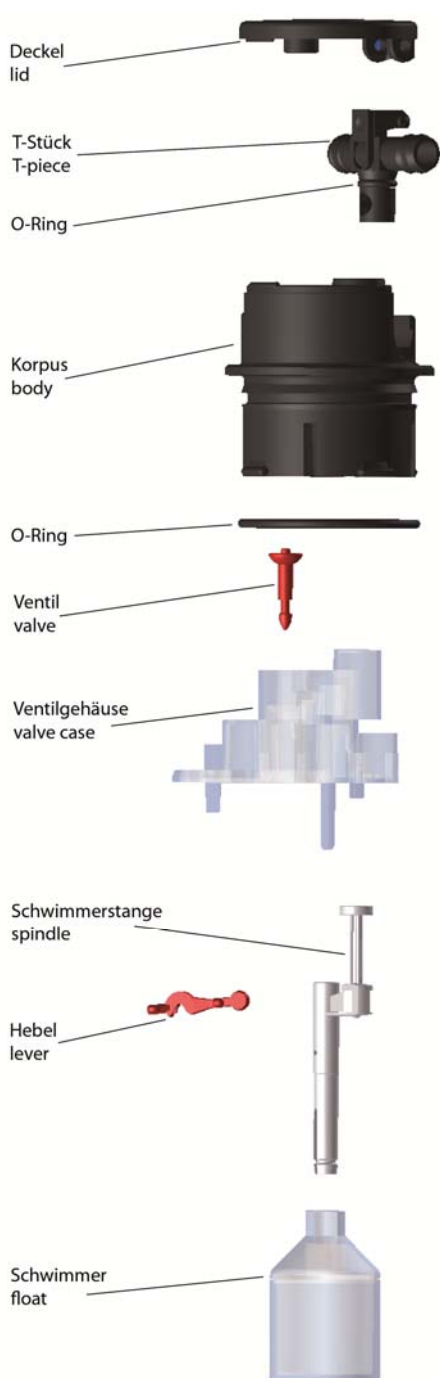
Water volume (dynamic) with 6 plugs in series:

4,3 psi → 3.275pt (1550cm<sup>3</sup>) per minute

7,2 psi → 4.65pt (2200cm<sup>3</sup>) per minute

5,8 psi → 3.91pt (1850cm<sup>3</sup>) per minute

14,5 psi → 6.76pt (3200cm<sup>3</sup>) per minute



All parts are assembled by means snap-in, no glue, no heat seal.  
All parts can be recycled at end of life cycle.