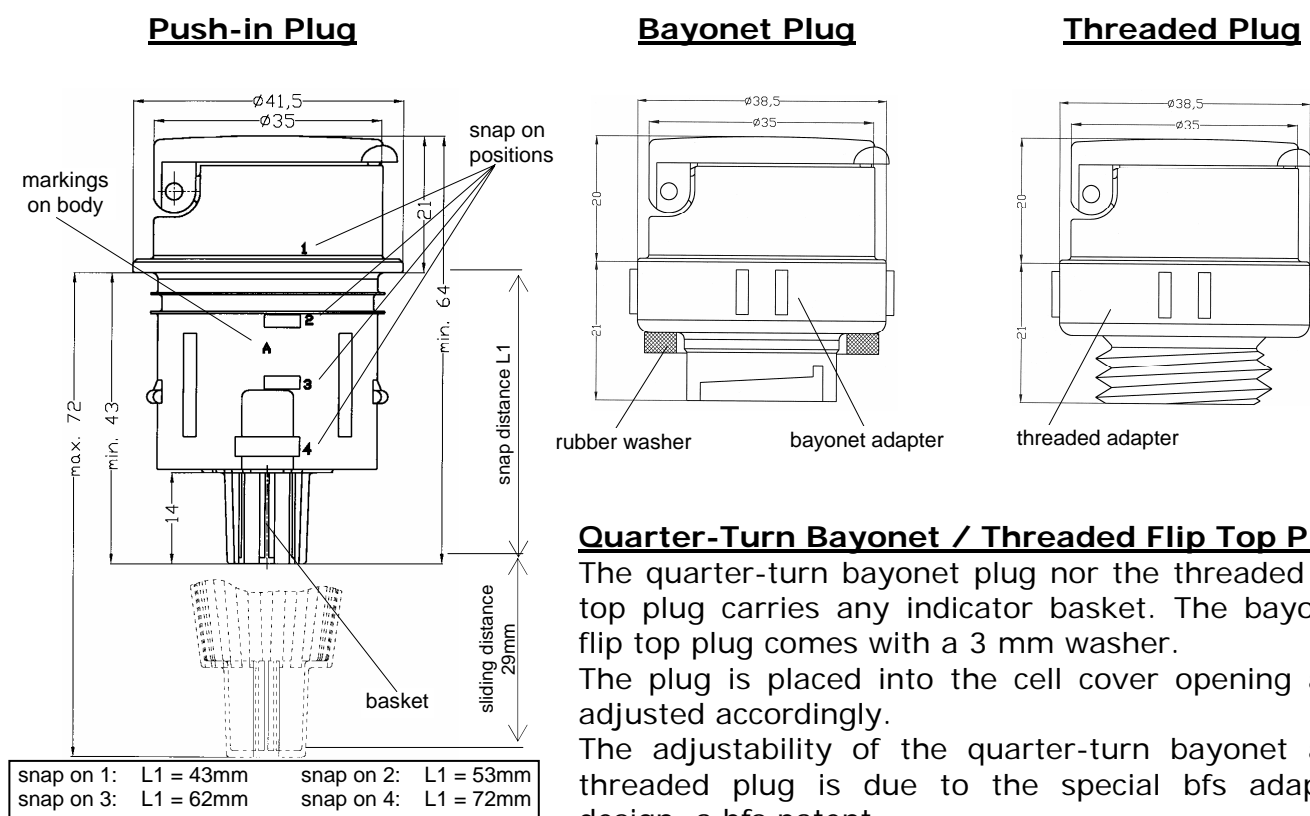


# Flip Top Manual Plug

After 25 years of developing automatic single point watering systems, we now offer a watering plug for manual topping-up of motive power and standby cells: The flip top plug with build-in condenser brush, a bfs patent. This plug will return a maximum of humidity, resulting in less frequent watering intervals.



## Quarter-Turn Bayonet / Threaded Flip Top Plug

The quarter-turn bayonet plug nor the threaded flip top plug carries any indicator basket. The bayonet flip top plug comes with a 3 mm washer.

The plug is placed into the cell cover opening and adjusted accordingly.

The adjustability of the quarter-turn bayonet and threaded plug is due to the special bfs adapter design, a bfs patent.

## Flip Top Push-in Plug with Indicator Basket

The manual flip top push-in plug is delivered ex factory with the indicator basket in it's most retracted position. The outside of the plug has the marking A and B and snap-on positions 1-4. The indicator basket is marked with the letter A.

### Sliding Basket:

The flip top push-in plug with indicator basket is pushed into the cell opening. With flip top lid open, the indicator basket is carefully lowered to the desired depth inside the cell. The markings on basket and plug are: A to B. This is the freely adjustable position of the basket. It can be in either 2 position, up or down or in every position in-between.

### Fixed Basket:

In case of a fixed position of the indicator basket, it must first be taken out of the plug entirely. The basket has to be turned by 180°, placing A of the basket to A on the plug body. As per depth of cell, the basket can be adjusted to the 4 fixed positions marked on the plug.